

Plastic-Encapsulate Diodes

Schottky barrier Diode

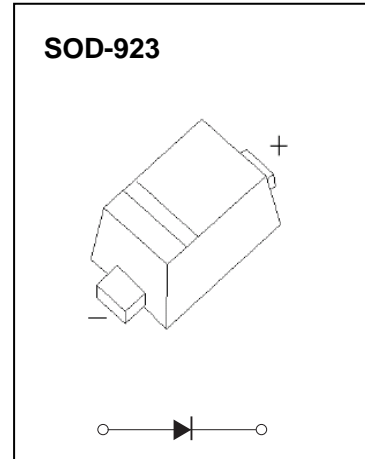
FEATURES

- Small surface mounting type
- Low reverse current and low forward voltage
- High reliability

MARKING: E



E=Device code
The marking bar indicates the cathode



Maximum Ratings and Electrical Characteristics, Single Diode @Ta=25°C

Parameter	Symbol	Limit	Unit
DC reverse voltage	V_R	30	V
Mean rectifying current	I_O	200	mA
Peak Forward Surge Current	I_{FSM}	500	mA
Power dissipation	D_8	100	mW
Thermal Resistance Junction to Ambient	θ_{JA}	1000	°C/W
Operating Junction Temperature Range	T_j	-40 ~ +125	°C
Storage Temperature Range	T_{stg}	-55 ~ +150	°C

Electrical Ratings @Ta=25°C

Parameter	Symbol	Min	Typ	Max	Unit	Conditions
Forward voltage	V_F			0.45	V	$I_F=10mA$
Reverse current	I_R			0.5	μA	$V_R=10V$



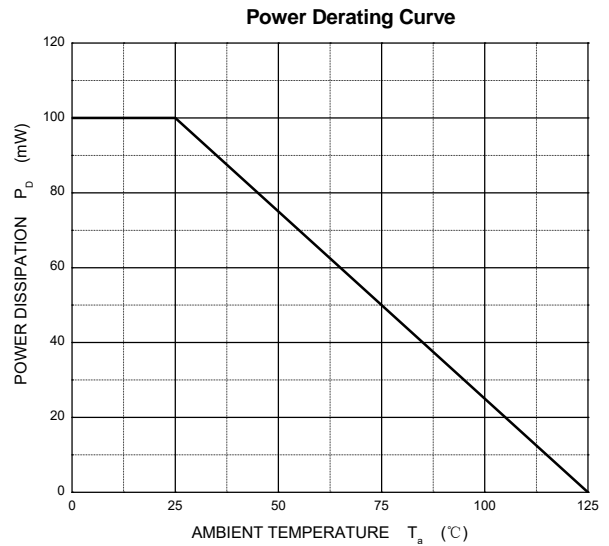
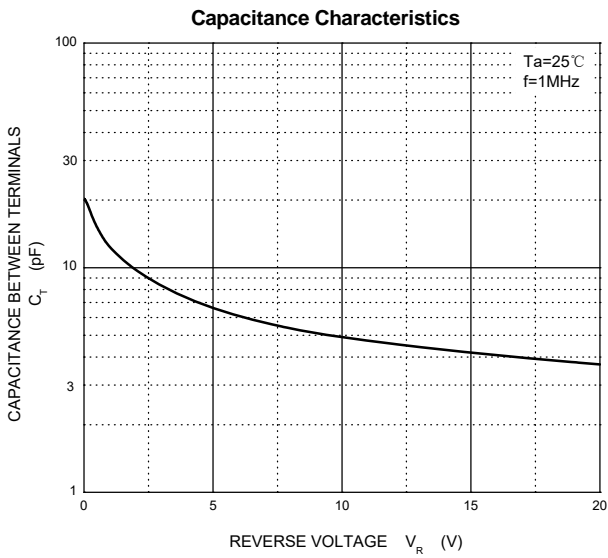
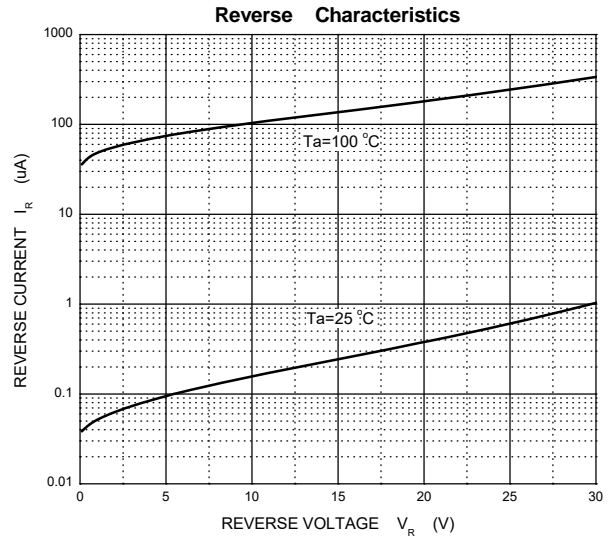
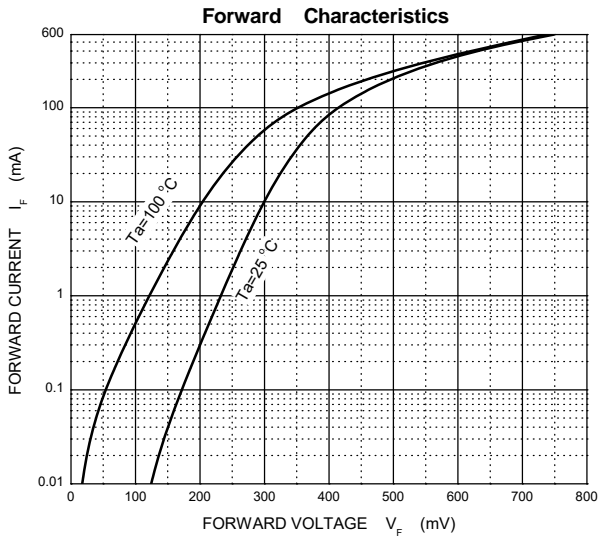
CHINA BASE
INTERNATIONAL

SOD-923 RB520CS-30



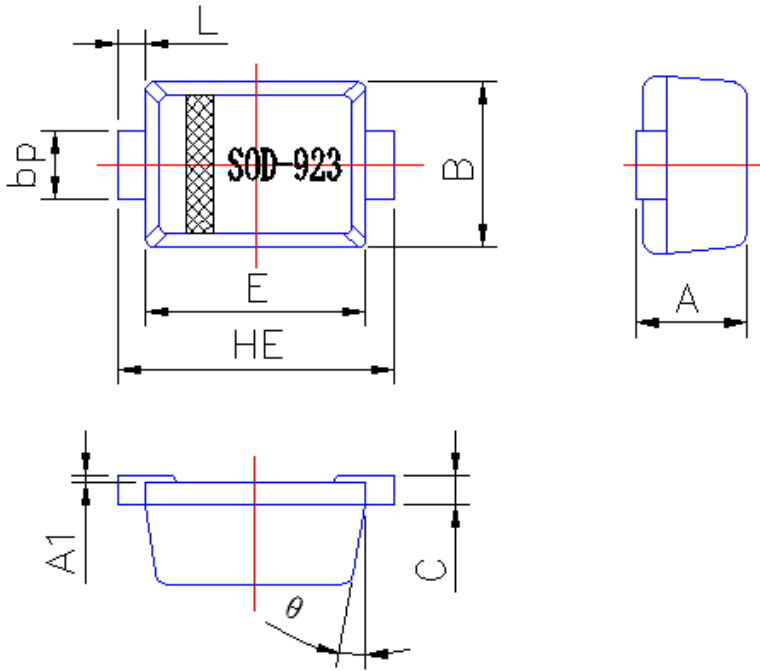
www.china-base.com.hk

Typical Characteristics





SOD-923-Package Outline Dimensions



Symbol	Dimension in Millimeters	
	Min	Max
A	0.35	0.43
A1	0	0.05
B	0.55	0.65
bp	0.25	0.35
C	0.08	0.15
E	0.75	0.85
HE	0.90	1.10
L	0.08	0.180
θ	7°	